

DATA SHEET neon convertor Type MICRO 820

- Compliant with EN 60598-1 for **LVT Directive**
- Compliant with EN 61000-3-2 EN 55015 3^{ed} EN 61547 for **EMC Directive**
- 230v. input, with plug Schuko type and a 1,5m cable.
- Output with 1m cable type **K** (EN 50143). Insulation of polyethylene and PVC. Diam. 4,5mm.
- Type B convertor according to EN 61347-2-10 (this kind of neon convertor must be provided with ground fault protection)

Electrical data:

Input :	Voltage	Volt 230 ac
	Current	Ampere 0,1 max
	Frequency	Hertz 50/60
	Power	Watt 10
	Cos φ	1.
	Power factor	λ 0.5

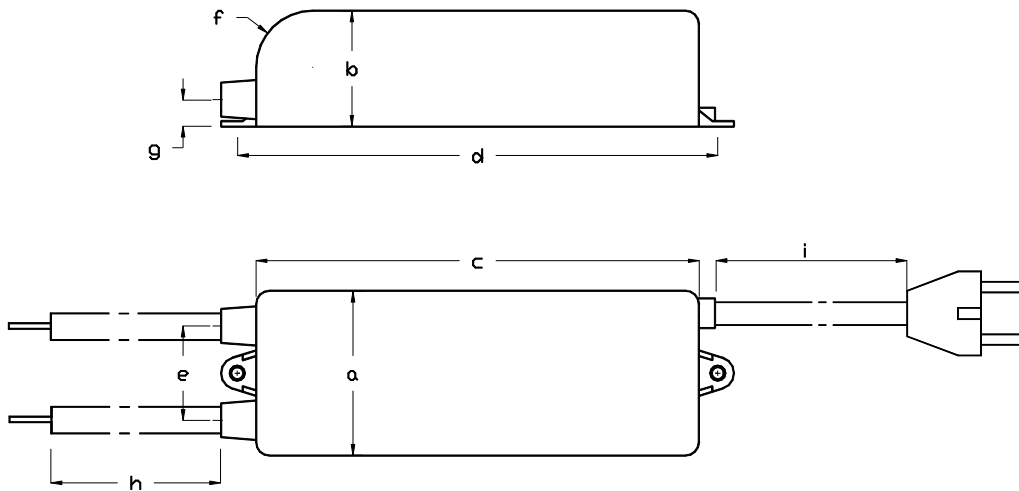
Output:	Voltage	Volt 850 rms
	Nominal load current	mA 20
	Short circuit current	mA 25
	Frequency	Hertz 24.000

Performances:

- Not compliant with external *Flashers (electronic or mechanical)*
- Not compliant with external *Dimmers*
- Suitable for lamps loaded with argon + mercury gas
- Resistant up to 40 c°

Loading chart:

	d.8mm	d.10mm	d.12mm	d.15mm	d.18mm
Argon	mt 0,8	mt. 1,0	mt. 1,2	mt. 1,4	mt. 1,6



	a	b	c	d	e	f	g	h	i	weight
MICRO	48	30	90	99	25	14	6	1000	1500	220 g

All dimensions are in mm.

Elettronica per luce s.r.l.

Via Caravaggio 26 - 20033 Desio (MI) - Italy - tel. +39 (0)362 630872 (a.r.) fax.+++ 620489

Tecnolux
GROUP